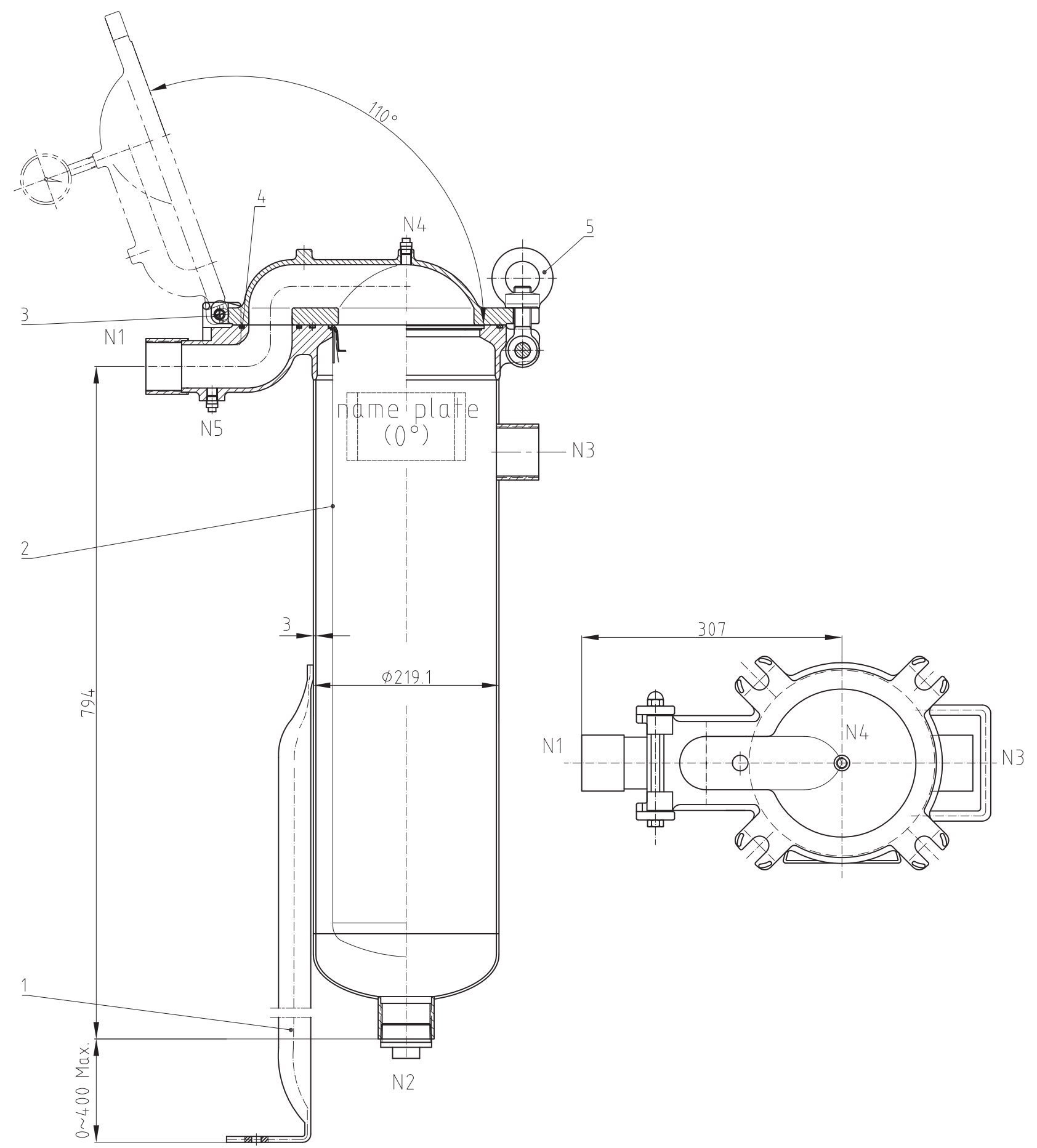


DESIGN DATA

DESIGN PRESSURE	Bar	10
DESIGN TEMPERATURE	°C	120
HYDR. TEST PRESSURE	Bar	15
VESSEL CAPACITY	L	28
VESSEL/PIPEWORK		SS304
GASKET MATERIAL		EPDM
EMPTY WEIGHT	Kg	50
EXTERIOR /INTERIOR FINISHING		Standard Bead Blasted

NOZZLES DATA

MARK	NORMAL SIZE	SERVICE	CONNECT STANDARD	FACE	RANK
N1	BSP 2"	INLET	DIN ISO 228-1		
N2	BSP 2"	OUTLET-1	DIN ISO 228-1		
N3	BSP 2"	OUTLET-2	DIN ISO 228-1		
N4	BSP 1/4"	VENT	DIN ISO 228-1		
N5	BSP 1/4"	DRAIN	DIN ISO 228-1		



ITEM	DESCRIPTION	MATERIAL	PART NO.
5	Eye bolt M20*85 (set)	SS304	EB-A-M20*85
4	O-ring	EPDM	OR-KF-E-C01 OR-TF-E-E01
3	Bolt M10*150	SS304	B-A-M10*150
2	Basket 02#	SS304	FBK-02-A
1	Leg	SS304	LAY-219

S E F A R

draw: JASON DONG

date: 2020-05-07

scale:	drawing no.:	REV:
1:1	SW150225-TBF-A	2
	name: PV-BT-304-2BI	

-Individual Vertical Wooden Packing